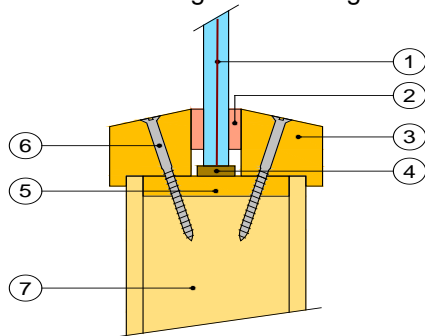


CERTIFICATE No CF 257 PYROGUARD UK LIMITED

Pyroguard EW30 IMPACT (7 mm) glass in timber based doorsets for periods of 30 minutes integrity

For this application the following conditions shall apply:

The glass shall be glazed within a previously fire tested or CERTIFIRE approved timber based doorset utilising the following basic specification:



- 1 Pyroguard EW30 IMPACT (7mm)*
- 2 Glazing system (see below)
- 3 Hardwood glazing beads (see below for alternative specs)
- 4 Non-combustible/hardwood setting blocks
- 5 Liner (see below)
- 6 Fixings (see below)
- 7 Nominally 44 mm thick FD30 door leaf

* Option of IGU with Pyroguard EW30 clear or wired glass, 6 mm steel spacer and 6 mm toughened glass, with the system specified in Table 1.

The doorset shall be CERTIFIRE approved or have test evidence for the inclusion of apertures of the proposed dimensions. This Certificate of Approval relates to the sizes of Pyroguard EW30 IMPACT (7 mm) glass shown in Table 1 below, when used in conjunction with the above system. The aspect ratio of the glass may be unlimited within these aperture dimensions.

Table 1

Glazing System	Maximum Pane dimension – height (mm)	Maximum Pane dimension – width (mm)	Maximum Pane Area (m ²)
Sealmaster Therm-A-Strip 10 mm x 2 mm ⁽⁸⁾	2125 (at 300 w)	800 (at 800 h)	0.64
Sealmaster G30 glazing gasket between beads and glass ⁽⁸⁾	2125 (at 300 w)	800 (at 800 h)	0.64
Sealmaster G30 glazing gasket in Pyroguard UK Ltd's bead system ⁽⁹⁾	800	800	0.64
Sealmaster Intumescent Foam Glazing Tape, 10x5mm ⁽¹⁵⁾	1680	610	0.85
Sealmaster Intumescent Foam Glazing Tape, 10x5mm ⁽¹⁶⁾	1846	760	1.31
Hodgsons Sealants Firestrip 30 ⁽¹⁾	875 (at 500 wide)	875 (at 500 high)	0.44
Lorient Flexible Figure 1 glazing system ⁽²⁾	1236 (at 574 w)	750 (at 960 h)	0.72
Lorient System 36/7 ⁽³⁾	875	750	0.66
Pyroplex 8193 glazing system ⁽⁴⁾	600	610	0.36
Pyroplex 30049 glazing system ⁽⁵⁾	750	750	0.56
Pyroplex 30054 glazing system ⁽⁶⁾	750	750	0.56
Pyroplex 8492 glazing system ⁽⁷⁾	403	626	0.25
Dufaylite Interdens 10 x 2 mm glazing strip ⁽¹⁰⁾	1846	760	1.31
IGU + Therm-A-Strip 10 x 2 mm ⁽¹¹⁾	1210	610	0.74